

# MIMO ANTENNA

## ANT-10-077-4510



### Features

- \* MIMO antenna for LTE / AMPS / WiFi
- \* Ceiling / body mount
- \* Suitable for indoor and outdoor applications
- \* IP 69K / IK 09 / IK 67

### Technical Specifications

#### GPS LTE (Cable I)

Frequency Range (MHz) : 4G/LTE 699-960 / 1710-2170 / 2500-2690  
Impedance (ohm) : 50  
Polarization : vertical  
Gain typ. (dBic) : 3  
VSWR\* : 699-960 MHz <5:1 / 1710-2690 MHz <3:1  
Power handling (W) : 25  
Cable : RG174 U length 4,5 m  
Connector : SMA M

#### LTE (Cable II)

Frequency Range (MHz) : 4G/LTE 699-960 / 1710-2170 / 2500-2690  
Impedance (ohm) : 50  
Polarization : vertical  
Gain typ. (dBic) : 3  
VSWR\* : 699-960 MHz <5:1 / 1710-2690 MHz <3:1  
Power handling (W) : 25  
Cable : RG174 U length 4,5 m  
Connector : SMA M

\* values stated when measured on 50x50cm ground plane

#### Mechanical

Size : 65.5 mm x 77.3 mm (DxH)  
Material : Lid: ASA / Base: Zamak / Gasket: TPE  
Mounting : Screw Mounting  
Colour : Black  
Housing

#### Environmental

Working Temp. : -40°C ÷ +85°C  
IP rating : IP 69K  
IK rating : IK 09, IK 67

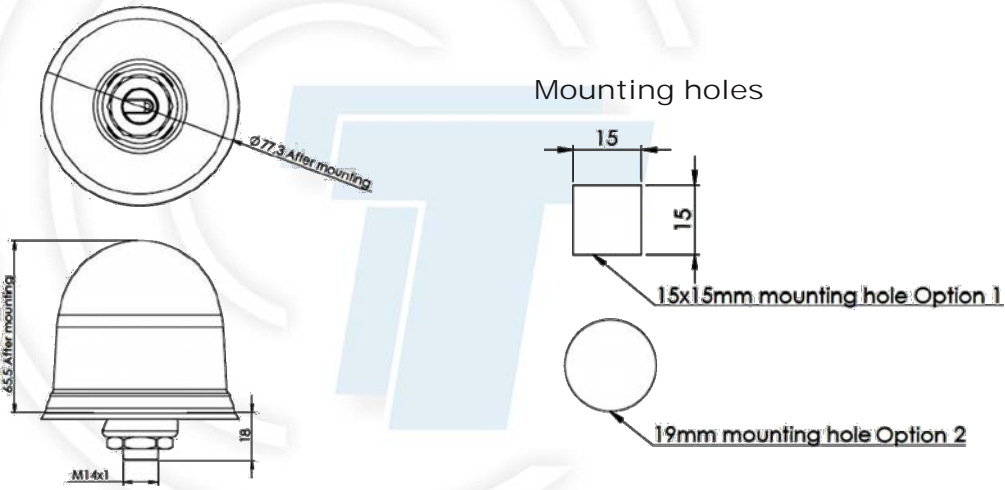


UNI EN ISO 9001:2008

# MIMO ANTENNA

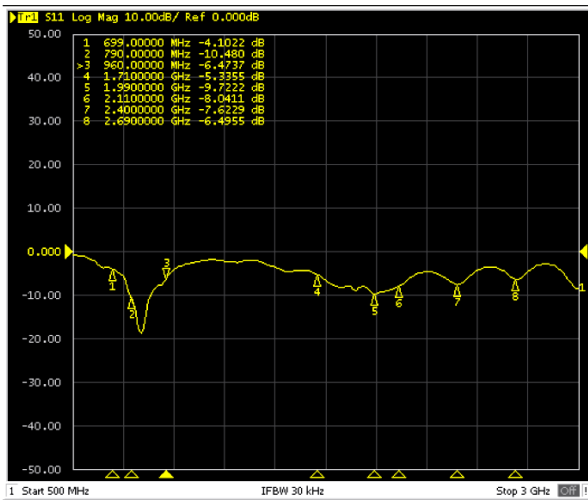
## ANT-10-077-4510

### Dimensions



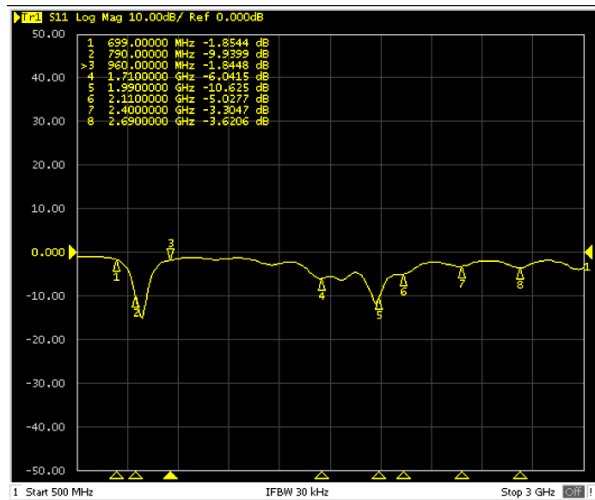
### Measurement

#### VSWR

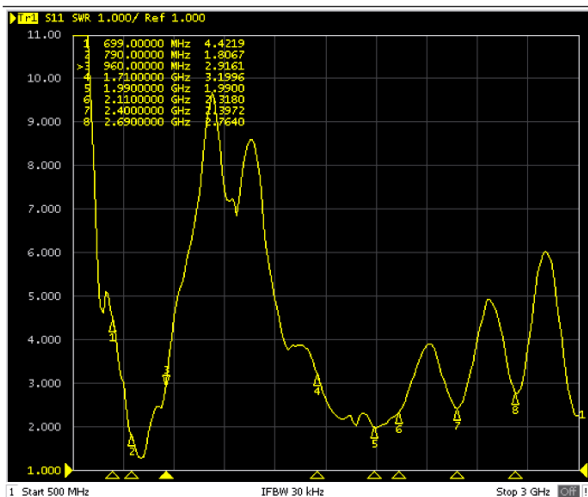


Cable I: 30cm RG174 - groundplane 50x50cm

#### Log Mag



#### VSWR



Cable II: 30cm RG174 - groundplane 50x50cm

#### Log Mag

