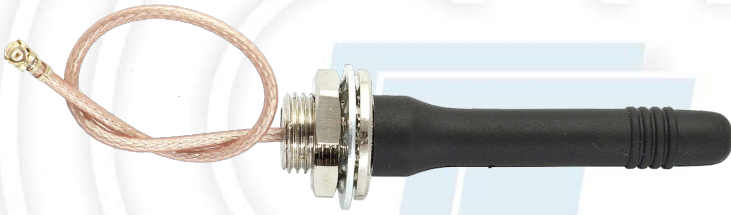


# WHIP ANTENNA

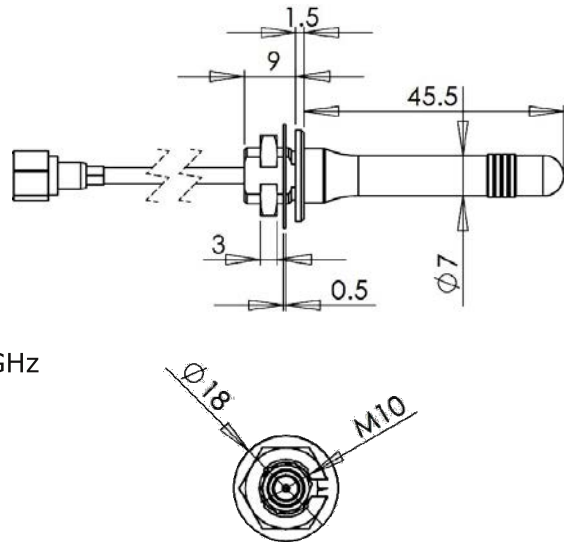
## ANT-03-082-1510



### Features

- \* Multi Band Antenna  
AMPS / ISM / GSM /  
DCS / PCS / 3G /  
WiFi / BLUETOOTH
- \* IP 67
- \* Body Mounting

### Dimensions



### Technical Specifications

Frequency Range (MHz) :	AMPS	824 ÷ 894
	ISM	868
	GSM	900
	DCS	1800
	PCS	1900
	3G	UMTS 2.1 GHz
	WIFI / BLUETOOTH	2.4 GHz

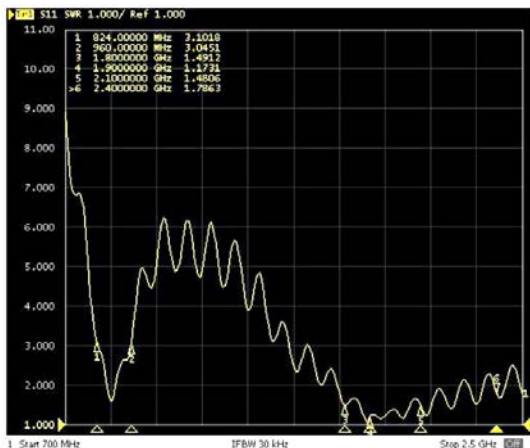
Impedence (ohm) :	50
V.S.W.R :	<2:1
Polarization :	Vertical
Gain (dBi) :	2.2 dBi Max
Power handling (W) :	25

### Mechanical

Size :	56 x 16 mm
Weight :	~ 22g
Cable :	RG174 U
Connector length :	1,5m
Mounting :	SMA M
Housing :	Body Mount
	Black

### Measurement

#### VSWR

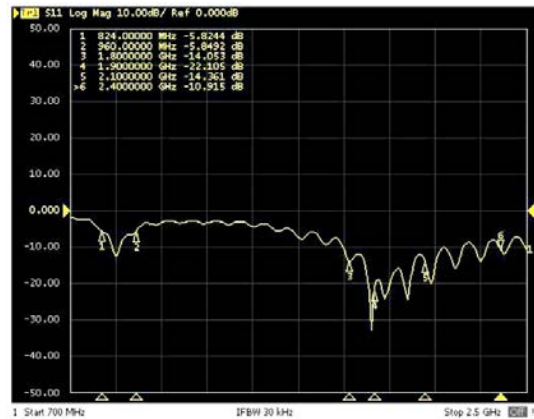


Tested with 1m cable length - RG174  
with SMA M on groundplane 60x60cm

### Environmental

Working Temp. :	-40°C~+85°C
IP :	IP67

### Log Mag



Tested with 1m cable length - RG174  
with SMA M on groundplane 60x60cm