

# WHIP ANTENNA

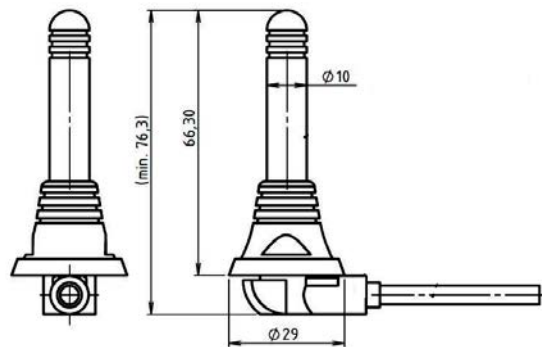
## ANT-03-081-8010



### Features

- \* Multi Band Antenna  
AMPS / ISM / GSM /  
DCS / PCS / 3G /  
WiFi / BLUETOOTH
- \* IP 67
- \* Body Mounting

### Dimensions



### Technical Specifications

Frequency Range (MHz) :	AMPS	824 ÷ 894
	ISM	868
	GSM	900
	DCS	1800
	PCS	1900
	3G	UMTS 2.1 GHz
	WIFI / BLUETOOTH	2.4 GHz

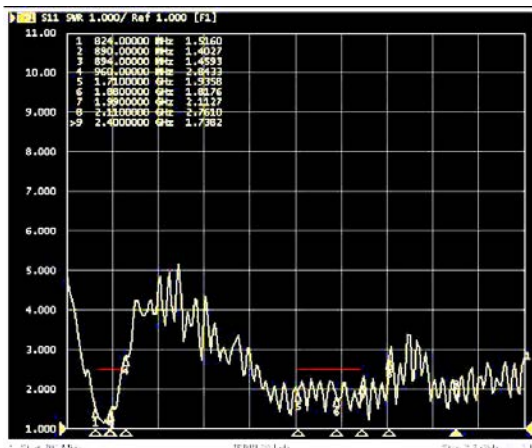
Impedence (ohm) :	50
V.S.W.R :	<2:1
Polarization :	Vertical
Gain (dBi) :	0
Power handling (W) :	100

### Mechanical

Size :	76,3 x 29 mm
Weight :	about 140g
Cable :	RG58 U length 8m
Connector :	FME F+SMA M
Mounting :	Body Mount
Housing :	Black

### Measurement

#### VSWR (Quad Band)

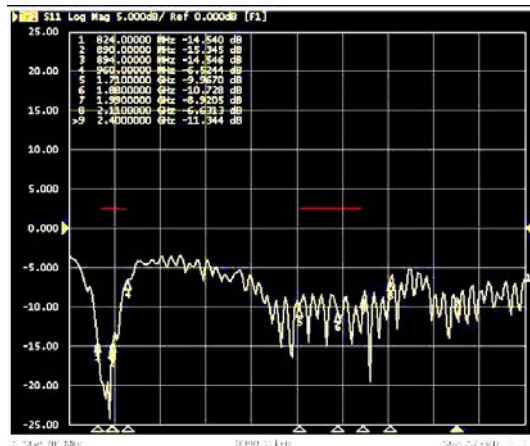


Tested with 2.5m cable length

### Environmental

Working Temp. :	-40°C~+85°C
IP :	IP67

### Log Mag (Quad Band)



Tested with 2.5m cable length



UNI EN ISO 9001:2008