

WHIP ANTENNA

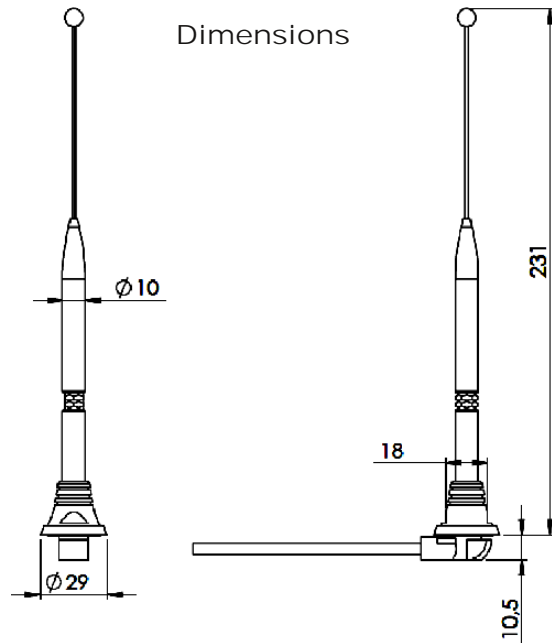
ANT-03-080-8010



Features

- * Multi Band Antenna
AMPS / ISM / GSM /
DCS / PCS / 3G /
WiFi / BLUETOOTH
- * IP 67
- * Body Mounting

Dimensions



Technical Specifications

Frequency Range (MHz) : AMPS 824 ÷ 894
 ISM 868
 GSM 900
 DCS 1800
 PCS 1900
 3G UMTS 2.1 GHz
 WIFI / BLUETOOTH 2.4 GHz

Impedance (ohm) : 50
 V.S.W.R : <2:1
 Polarization : Vertical
 Gain (dBi) : 3 - 4
 Power handling (W) : 100

Mechanical

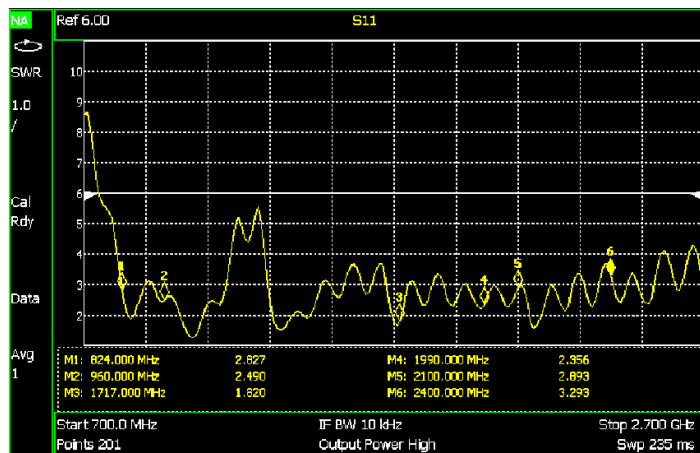
Size : 29 x 231 mm (D x H)
 Weight : about 115g
 Cable : RG58 U length 8m
 Connector : FME F+SMA M
 Mounting : Body Mount
 Housing : Black

Environmental

Working Temp. : -40°C~+85°C
 IP : IP67

Measurement

VSWR (Quad Band)



Tested with 1m cable length



UNI EN ISO 9001:2008