

EMBEDDED REAR CCD CAMERA

VS-040

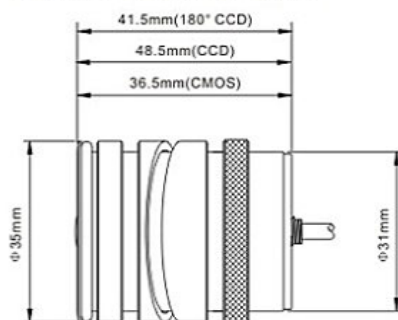


Main Features

- Waterproof and weather resistant housing for outdoor use
- Embedded-type, specially designed for car rear view systems
- Night vision available
- IR distance: 8 m
- Day / Night sensor for automatic adjustment
- Super wide angle (180°)
- 1/3" CCD SONY device opt.

Technical characteristics

- Image Device: SHARP 1/3" CCD
- TV System: PAL/ NTSC
- Effective Pixels: 512 x 582 / 512 x 492 pixels
- Sensing Area: 4.9 mm x 3.7 mm
- Scanning System: 2:1 Interlaced
- Sync. System: Internal
- Resolution: 420 TV lines
- Horizontal Sync. Frequency: 15.625KHz / 15.734KHz
- Vertical Sync. Frequency: 50Hz / 60Hz
- Minimum Illumination: 0 Lux (IR lamps ON) - 0.1Lux(day) / F1.2
- Video Output: 1.0 Vp-p, 75Ohm
- Gamma Correction: 0.45
- AGC: Auto
- S/N Ratio > 48dB
- White Balance: Auto
- Electronic Shutter: 1/60(NTSC) / 1/50(PAL) ~ 1/10,000 seconds
- BLC: Auto
- Lens: 2.8mm, 3.6mm optional
- Lens Angle: 120°, 92°
- Current Consumption: Max. 230mA
- Power Supply: DC12V
- Connection: RCA / DIN
- Operating Temperature: -20°C~+70°C , RH 95% MAX
- Storage Temperature: -40°C~+80°C , RH 95% MAX



Mobile Products



TELICOM
Technology s.r.l.

