

REAR VIEW CCD CAMERA

VS-F40

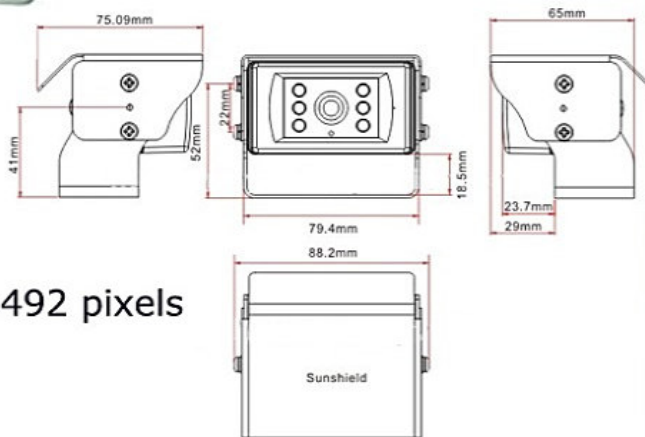


Main Features

- Firm structure : aluminum-alloy housing, stainless-steel mount and sun-shield;
- Waterproof and weather resistant housing for outdoor use
- Night-vision function (6 infrared lights)
- Compact design for more convenient installation
- 1/3 CCD SONY device opt.

Technical characteristics

- Image Device: SHARP 1/3" CCD
- TV System: PAL/ NTSC
- Effective Pixels: 512 x 582 / 512 x 492 pixels
- Sensing Area: 4.9mm x 3.7mm
- Scanning System: 2:1 Interlaced
- Sync. System: Internal
- Resolution: 420 TV lines
- Horizontal Sync. Frequency: 15.625KHz / 15.734KHz
- Vertical Sync. Frequency: 50Hz / 60Hz
- Minimum Illumination: 0 Lux / F1.2 (IR lamps ON)
- Video Output: 1.0 Vp-p, 75 Ohm
- Gamma Correction: 0.45
- AGC: Auto
- S/N Ratio > 48dB
- White Balance: Auto
- Electronic Shutter: 1/60(NTSC) / 1/50(PAL) ~ 1/10,000 Seconds
- BLC: Auto
- Lens: f=2.8mm / 3.6mm F =2.0
- Lens Angle: 120° / 92°
- Current Consumption: Max. 150mA
- Power Supply: DC12V
- Connection: RCA / DIN
- Operation Temperature: -20°C~+70°C , RH 95% MAX
- Storage Temperature: -40°C~+80°C,RH 95% MAX



Mobile Products

