

serie TM-002

Speaker-microphone for Portable Radios



Features

Heavy duty type speaker microphone with spring clip. PTT and Emergency buttons on separate wires Support jack socket for earpiece connection.



Characteristics

Speaker

Transducer type: Dynamic Speaker Ø 40mm
SPL: 92 dB ± 3 dB (W/m)
Impedance: 8Ω ± 15%
Frequency: 300Hz ÷ 6KHz
Rate Input Power: 2W
Volume Control: 6dB High/Low toggle switch
Ear phone jack: 3.5 mm

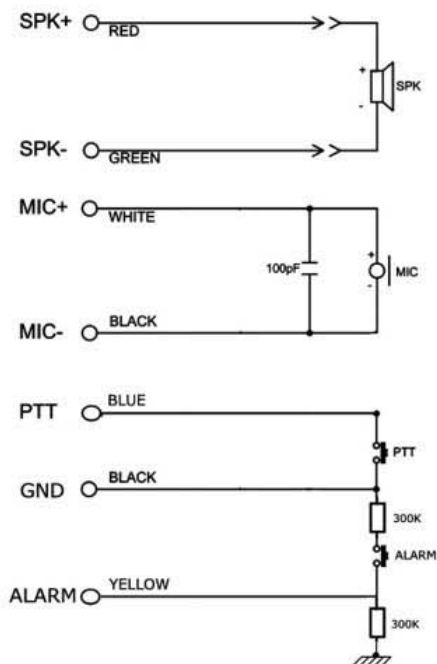
PTT ≤ 1Ω ON
> 1MΩ OFF

Emergency button

: 150KΩ ON
: 300KΩ OFF

Microphone

Directivity: Uni-directional
Sensitivity (1KHz): -44 dB ± 3 dB Vs 2.5V
Impedance: 2.2KΩ ± 10%
Frequency Response: 200 Hz ÷ 10KHz
Operational voltage: 2 ÷ 10V



Environmental

Weight: 230gr
Dimensions: 87 x 65 x 30 mm
Operating temperature: - 20 ~ 50°C ± 2°C
360° Tournable Spring Clip
IP 67

Cable

Diameter: 5 mm
Length: [20 + 25 (coil) + 20] cm

Connector

on request



Ancillary for PMR