

serie TH-004

Lapel Speaker Microphone

Features

- Discreet and elegant lapel surveillance earpiece.
- Easy acoustic sound tube substitutability
- PTT configurable on separate wires



Speaker

- Output SPL: 90 dB \pm 5 dB at 1KHz
- Impedance: 110 Ω \pm 15% at 1KHz
- Frequency Response: 200 \div 5KHz
- D.C. Resistance: 90 Ω \pm 10%
- Max Input Power: 300mW
- Acoustic sound tube dimensions: \varnothing 16 mm

Microphone

- Transducer type: Electret condenser microphone
- Directivity: Omni-directional
- Sensitivity (1KHz): -48 dB \pm 5 dB RL=2.2K Vs=2.0V
- Frequency Response: 200 Hz \div 10KHz
- Standard Op. Voltage: 2 \div 10V
- Current Consumption: \leq 0.7mA
- S/N Ratio: $>$ 58dB

PTT

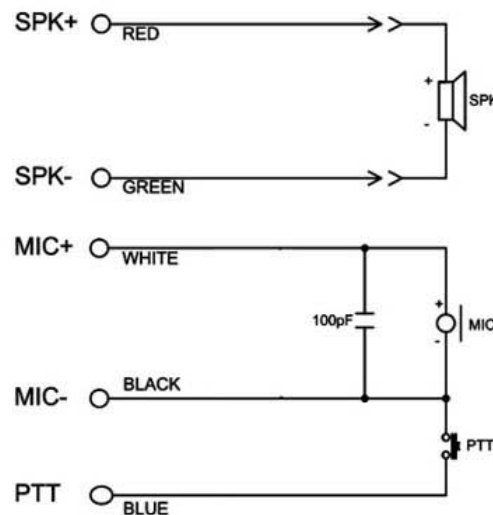
- (as pure contact): \leq 1 Ω ON
 $>$ 1M Ω OFF
- on mic path: push to talk

Cable

- diameter: 3 mm
- length: [18 + 7(coil) + 9] cm

Connector

on request



Ancillary for PMR

