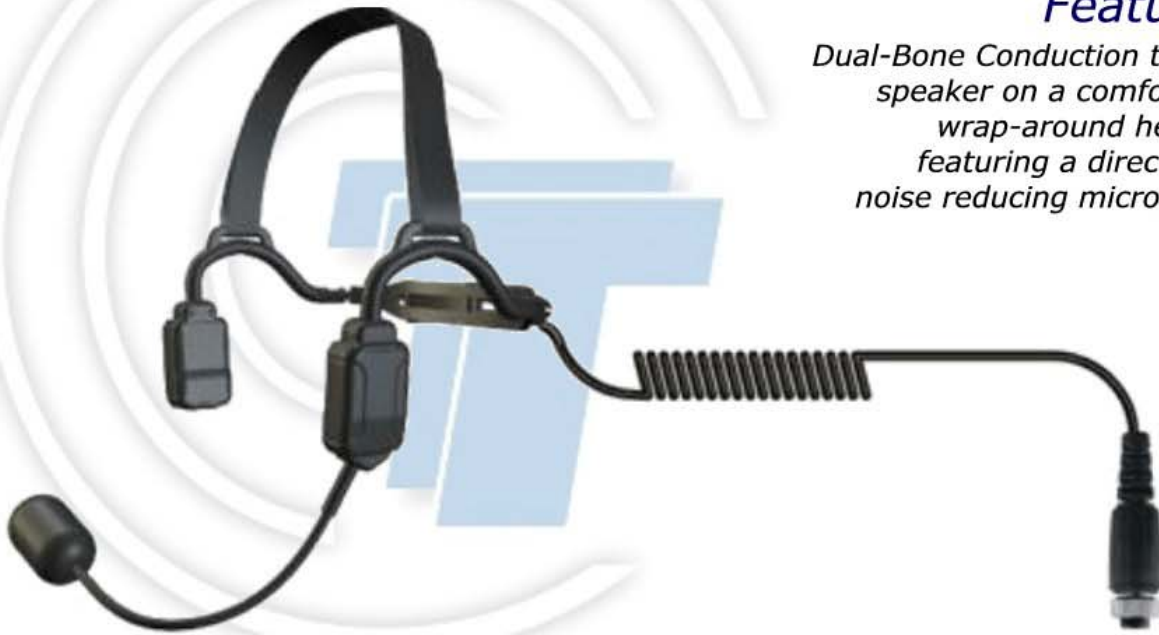


serie TH-003

Bone Conduction Headset

Features

Dual-Bone Conduction temple speaker on a comfortable wrap-around headset featuring a directional, noise reducing microphone



Speaker

Type:	Vibrating Type Speaker
Output SPL:	98 dB \pm 3 dB at 1K Hz
Frequency Response:	300 \div 3.4KHz
Rated Input Power:	100mW
Max Input Power:	200mW
Dimensions:	\varnothing 18 x 8 mm

Microphone

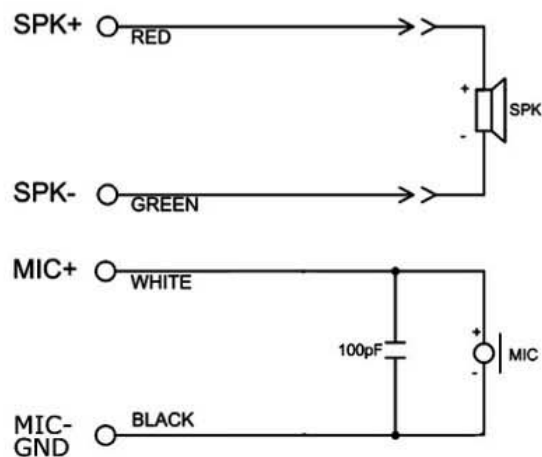
Type:	Condenser microphone
Directivity:	Omni-directional
Sensitivity (1KHz):	-40 dB \pm 2 dB RL = 2.2K Ω Vs = 2.5V
Frequency Response:	200 Hz \div 10KHz
Operational voltage:	2 \div 10V

Cable

Diameter: 3 mm
Length: [25 + 12 (coil) + 20] cm

Connector

robust 5 poles circular screw



Ancillary for PMR