

**AUTOMOTIVE
APPLICATIONS**

MIC-10-087-028

Features

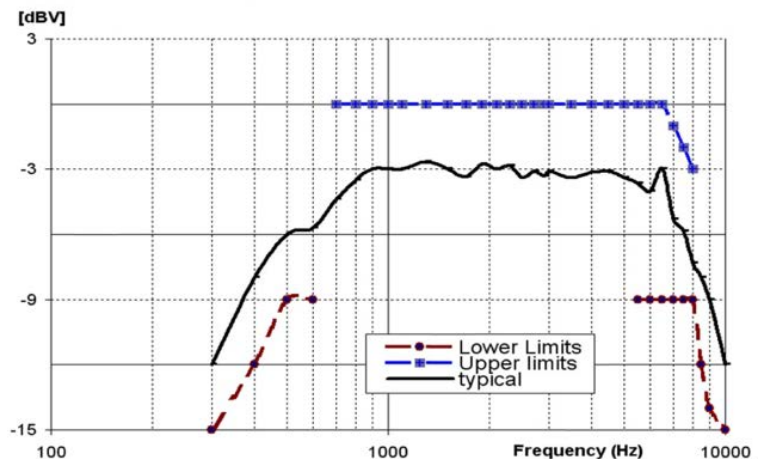
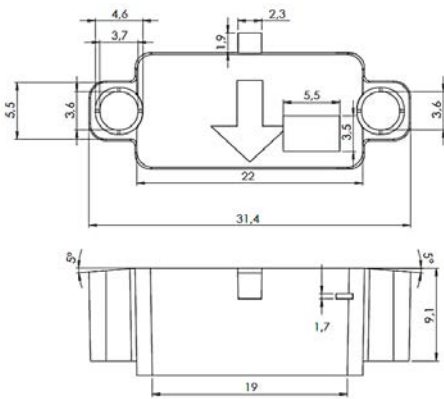
Amplified unidirectional, electret condenser microphone, for bezel mounting. Specifically designed to offer good intelligibility and low distortion also in noisy environmental conditions, thanks to cartridge suspension even, can be supplied with sensitivity from +3 up to -22 dB on request (see sensitivity for ref.)

**Extended Power supply range
from 5 to 12 Vdc
3 wires connection**

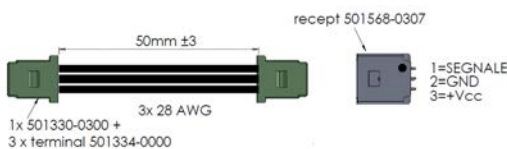


Typical Microphone Sensitivity

Mechanical Layout



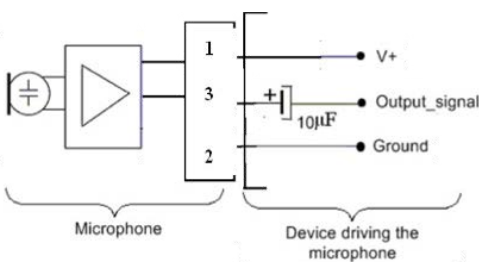
Cable specs.



Technical Specifications

Directivity: Uni-directional (Cardioid pattern)
 Sensitivity: -3,7 dB ±3dB re 1V/Pa @ 1 kHz
 Equal to 640 mV meas. at 50 cm (Typ.)
 Power supply: 5 ÷ 12 Vdc
 Max current: < 2 mA @ 94dB SPL
 S/N Ratio: > 58 dBA
 THD: < 2,5%
 Max. SPL: 120 dB
 Operat. temp.: -25° to +70°C
 Storage temp.: -40° to +85°C
 Weight: ~10g
 Case material: Bayblend Black

Test Circuit



Microphones Family