

**AUTOMOTIVE  
APPLICATIONS**

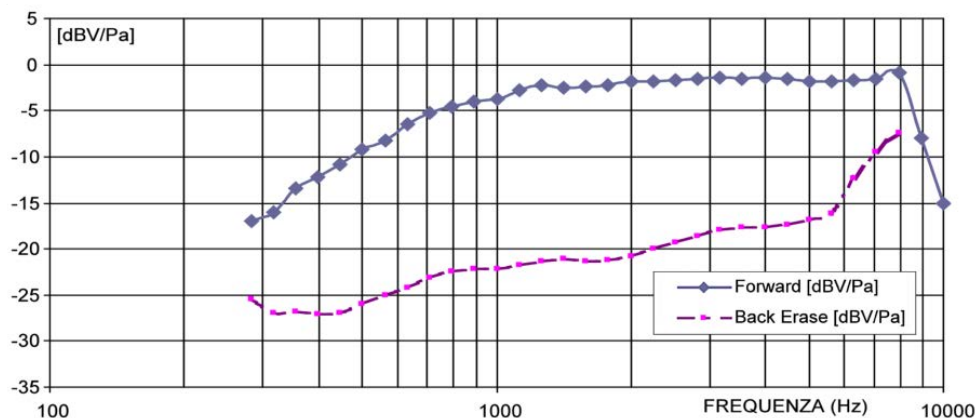
# MIC-02-x06-xx

## Features

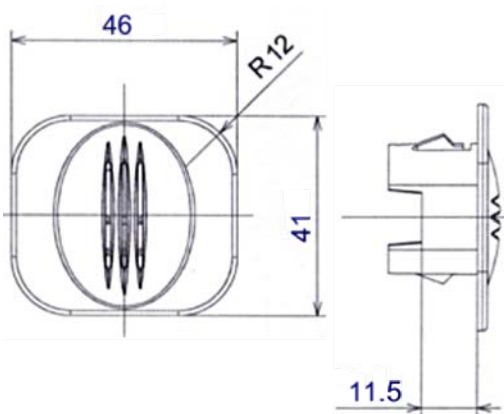
Amplified unidirectional, electret condenser microphone, for ceiling light mounting. Specifically designed to offer good intelligibility and low distortion also in noisy environmental conditions, can be supplied with sensitivity from +3 up to -22 dB on request (see sensitivity for ref.)

**Extended Power supply range  
from 5 to 8 Vdc  
(Optional up to 12 Vdc)**

## Typical Microphone Sensitivity



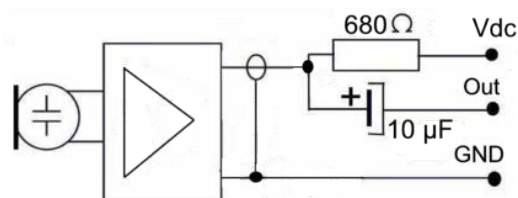
## Mechanical Layout



## Technical Specifications

Directivity: Uni-directional (Cardioid pattern)  
Sensitivity: -3,7 dB  $\pm$ 4dB re 1V/Pa @ 1 kHz  
Equal to 640 mV meas. at 50 cm (Typ.)  
Power supply: 5  $\div$  8 Vdc  
Max current:  $\leq$  2 mA @ 94dB SPL  
Load resistor: 680  $\Omega$   
S/N Ratio: > 60 dBA  
THD: < 2,5%  
Max. SPL: 120 dB  
Operat. temp.: -25° to +70°C  
Storage temp.: -40° to +85°C  
Case material: ABS Matt Ivory or Black  
Cable length  
and connector: On request

## Test Circuit



**Microphones Family**