

# GPS ACTIVE ANTENNA

## ANT-01-x73-xx



### General Features

- \* GPS Antenna
- \* Active
- \* Suitable for indoor and outdoor applications
- \* Waterproof
- \* Adhesive or Magnetic Mounting

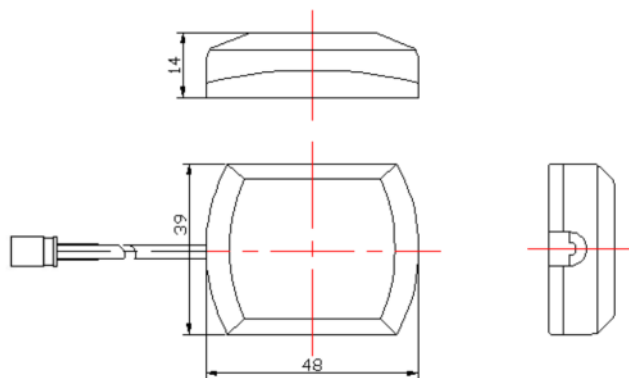
### Technical Specifications

#### GPS Antenna

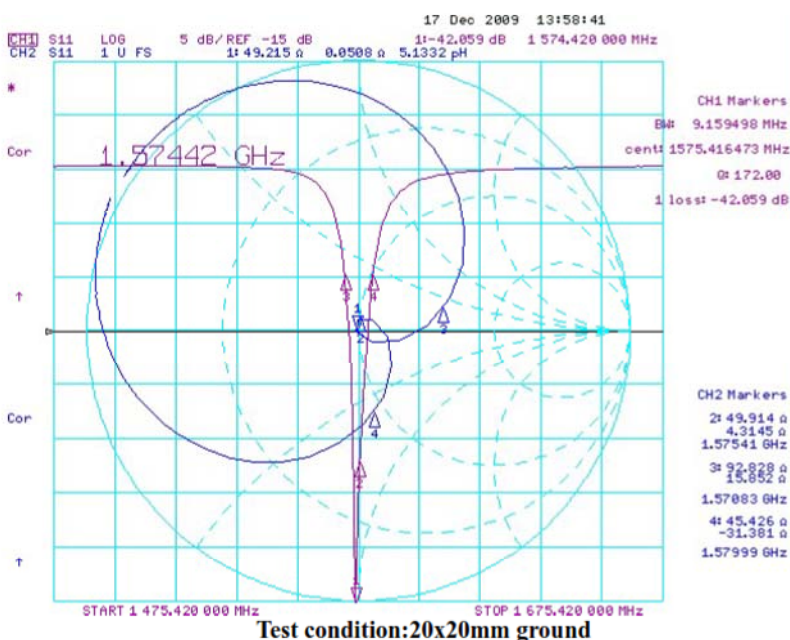
Frequency Range : 1575.42 MHz  $\pm$  3 MHz  
V.S.W.R : 1.5:1  
Bandwidth :  $\pm$ 5 MHz  $\pm$  1 MHz  
Nominal Impedence : 50 Ohms  
Gain (Zenith) : 3 dBic  $\pm$  0.5 dBic  
Polarization : RHCP

#### LNA

LNA Gain : 28  $\pm$  2.5 dB  
Noise Figure : 1.5dB  
Filter Out Band Atten. : 12dB Min  $f_0$  + 50 MHz  
16dB Min  $f_0$  - 50 MHz  
DC Voltage : 2.2 ~ 5.0 Volts  
DC Current : 5 ~ 15 mA typ. 8mA @ 3V



### Patch Test Curve



#### Mechanical

Size : 48 x 39 x 14 mm  
Cable : RG174  
Connector : SMA / SMB / MCX / FME  
or others...  
Mounting : Magnet or Adhesive  
Housing : Black

#### Environmental

Working Temp. : -40°C ~ +85°C  
Storage Temp. : -45°C ~ +100°C  
Rel. Humidity : 55% ~ 75% RH  
Weatherproof : Waterproof

Antennas Family

